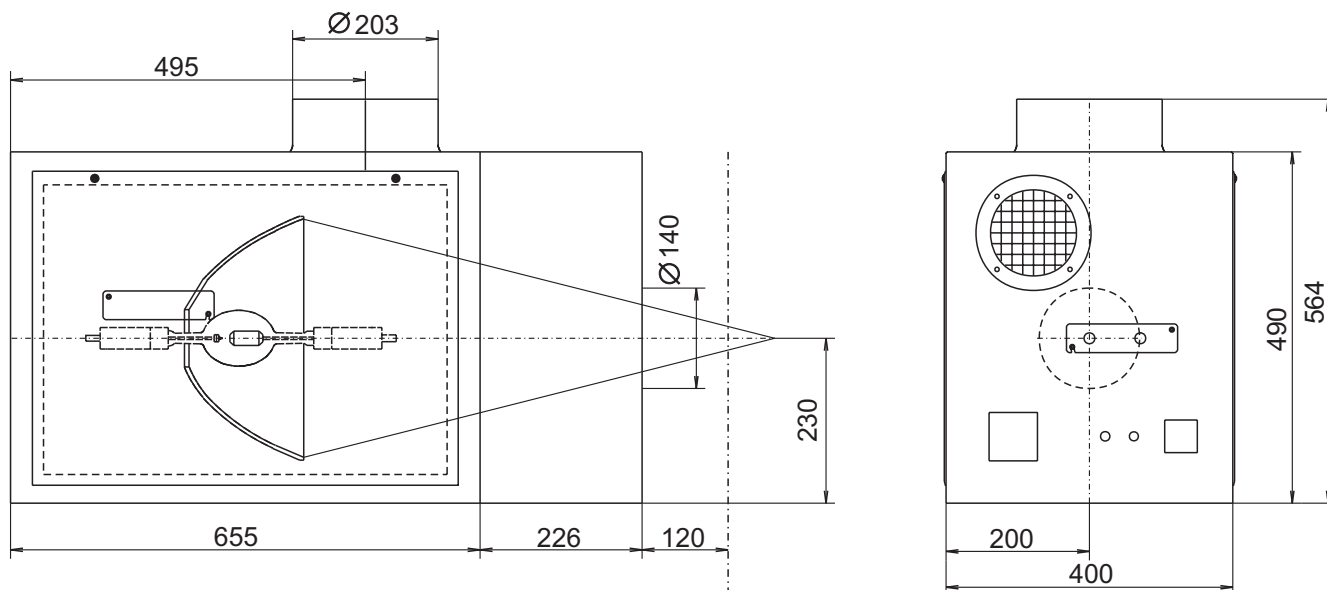


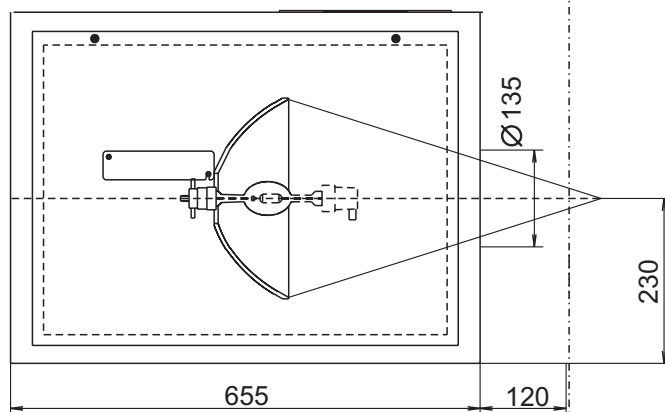
# Dimensions of Studio Lamp Houses

Dimensions [mm]

## 2000 to 7000 W



## 1000 to 2000 W



See the Difference



**Kinoton** GMBH

E-mail: [welcome@kinoton.de](mailto:welcome@kinoton.de)  
Tel. +49 (0) 89/89 44 46-0  
Fax +49 (0) 89/8 40 20 02  
Industriestrasse 20a  
D-82110 Germering